

• Control for phase presence for three-phase, bi-phase or single phase systems

Network frequency : 50Hz , 60Hz and 400Hz (40Hz...500Hz)

Prevents commissioning on missing phase

Protect sensitive equipment on phase loss or failure

Neutral using is optional in three-phase

• Status relay output per phase

Contactor command, plc input

Serial connection of output relays allows to have a synthesis output

• Status indication

LED for phase presence



The DAP23 relay is for phase presence control on electric system. Mount in head of sensitive equipment, the DAP23 assures the supply of equipment and power off on phase loss or failure.

The LEDs on the front panel allow easy diagnosis of network.

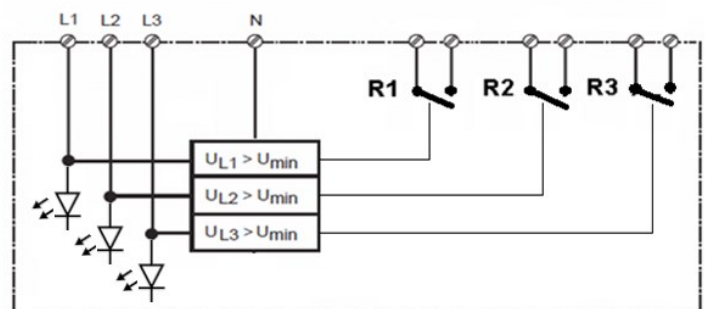
Description:

- Phase failure or phase loss detection
- Fuses monitoring and protection
- Led status indication
- Self powered module

Feature:

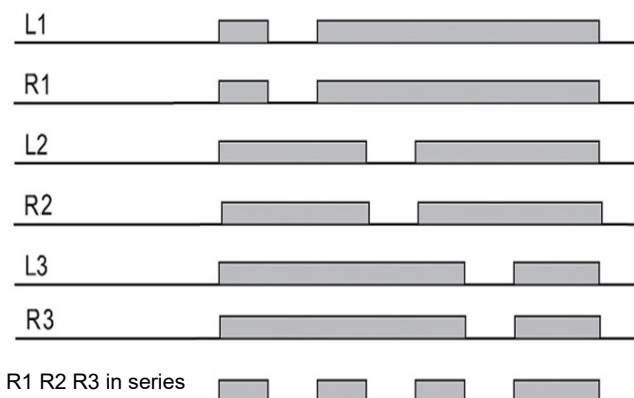
- DIN rail mounting (symmetrical)
- Screw terminal blocks (up to 2.5 mm²)
- Conformal coating
- Protection rating : IP20 (enclosure/ terminal blocks)
- Electromagnetic NO contact relay 6A 250Vac

Synoptic



[Request a quote](#)

Operating diagram



Version and order :

Control of 3 phases in single-phase or 3 phases in three-phase

- DAP23/1** : For 52V to 80V phase - neutral voltage
90V to 140V between phases (40Hz...500Hz)
- DAP23/2** : For 115V to 139V phase - neutral voltage
200V to 240V between phases (40Hz...500Hz)
- DAP23/4** : For 220V to 290V phase - neutral voltage
380V to 500V between phases (40Hz...500Hz)
- DAP23/5** : For 318V to 404V phase - neutral voltage
550V to 700V between phases (40Hz...500Hz)

Relay output contact : 6A 250V

INPUT / POWER SUPPLY

TYPE 4 wires (L1,L2,L3,N) RANGE

- DAP23 / 1:** version for 90 to 140 volts between phase - 40...500 Hz
- DAP23 / 2:** version for 200 to 240 volts between phase - 40...500 Hz
- DAP23 / 4:** version for 380 to 500 volts between phase - 40...500 Hz
- DAP23 / 5:** version for 550 to 700 volts between phase - 40...500 Hz

Current consumption < 3mA per phase

OUTPUT RELAY

- 3 relays, NO contact, free potential
- Resistive power switching 250V - 6A (1500VA)
- Dielectric strength 1.2 / 50 µs , 6000V
- isolation 4000Vac

Maximum Rise Time. 10 ms (phase ok)
 Release delay max. 10 ms (phase failure)
 (security to avoid spurious switching)

ENVIRONMENT

- Operating temperature -25 to 70 °C
- Storage temperature -40 to 85 °C
- Hygrometry 85 % not condensed
- Weight 120 g
- Protection rating IP20
- MTBF (MIL HDBK 217F) > 3 000 000 Hrs @ 25°C
- Life time > 200 000 Hrs @ 30°C
- Shock IEC 60068-2-27 (operating) 15 G / 11 ms
- Bump IEC 60068-2-29 (transportation) 40 G / 6 ms
- Vibrations IEC 60068-2-6 (operating) 1 G / 10 - 150 Hz
- Vibrations CEI 60068-2-6 (transportation) 2 G / 10 - 150 Hz

Electromagnetic compatibility 2014/30/UE / Low Voltage Directive 2014/35/UE

Immunity standard for industrial environments EN 61000-6-2		Emission standard for industrial environments EN 61000-6-4
EN 61000-4-2 ESD	EN 61000-4-8 AC MF	EN 55011 group 1 class A
EN 61000-4-3 RF	EN 61000-4-9 pulse MF	
EN 61000-4-4 EFT	EN 61000-4-11 AC dips	
EN 61000-4-5 CWG	EN 61000-4-12 ring wave	
EN 61000-4-6 RF	EN 61000-4-29 DC dips	



WIRING AND OUTLINE DIMENSIONS:

